



Instruction Manual

Electric Non-Telescoping High Lift Truck

Part Number: 272460 & 272461



Note: Operator MUST read and understand these operating instructions before using this High Lift Truck.

TABLE OF CONTENTS

1	General Information	2
1.1	Description.....	2
1.2	Specifications.....	2
2	Safety Information.....	2
3	Assembly.....	2
4	Operation.....	2
5	Maintenance.....	3
6	Trouble Shooting.....	3
7	Hydraulic & Circuit Diagrams.....	3
7.1	Hydraulic Flow Diagram (Models Manufactured Before 07/2008).....	6
7.2	Circuit Diagram (Models Manufactured Before 07/2008).....	6
7.3	Hydraulic Flow Diagram (Models Manufactured After 07/2008).....	6
7.4	Circuit Diagram (Models Manufactured After 07/2008).....	7
8	Part Information (Models Manufactured Before 07/2008).....	7
8.1	Handle Part Diagram.....	8
8.2	Handle Part List.....	8
8.3	Frame Part Diagram.....	9
8.4	Frame Part List.....	9
8.5	Pump Part Diagram.....	10
8.6	Pump Part List.....	10
8.7	Steer Wheel Assembly Part Diagram.....	11
8.8	Steer Wheel Assembly Part List.....	12
9	Part Information (Models Manufactured After 07/2008).....	13
9.1	Frame & Handle Part Diagram.....	13
9.2	Frame & Handle Part List.....	13
9.3	Pump Part Diagram.....	15
9.4	Pump Part List.....	16

ATTENTION: TO INSURE SAFE AND EASY USE OF YOUR HIGH LIFT TRUCK,
READ THESE INSTRUCTIONS ENTIRELY BEFORE USING.

1. GENERAL INFORMATION

1.1 DESCRIPTION

Thank you for purchasing an Electric Non-Telescoping High Lift Truck. This truck has been designed for transporting and horizontal lifting of loads of up to 2,200 lbs. The electric high lift trucks feature a one year pump warranty and a battery powered hydraulic lift system that is operated with fingertip controls. It can greatly reduce labor and increase working efficiency and is an efficient tool for various work environments.

1.2 SPECIFICATIONS

Model	272460	272461
Capacity	2,200 lbs	2,200 lbs
Weight	367 lbs	372 lbs
Fork Lowered Height	3.3"	3.3"
Fork Raised Height	31"	31"
Single Fork Width	6.5"	6.5"
Fork Length	45"	45"
Overall Width	21"	27"
Overall Length	60"	63"
Overall Height	48.5"	48.5"
Telescoping	No	No
Steering & Load Wheels	Polyurethane	Polyurethane

Materials and specifications are subject to change without notice.

2. SAFETY INFORMATION

- 1) Read the manual carefully before operation. Go through every procedure as required in the manual.
- 2) Lift the fork to its full range a few times before use to release the air in the hydraulic system.
- 3) Do not lift or pull personnel with the truck.
- 4) Do not operate the unit on sloped or tilted surfaces.
- 5) Do not put your hand or foot under the fork or into the moving parts
- 6) Put all loads in the center of the fork.
- 7) The safety valve in the pump station will automatically open when the unit becomes overloaded. If this occurs, don't try to lift the load any more by pushing the "UP" button. This will reduce the lifespan of the pump unit.
- 8) Power off the unit when not in use.
- 9) To replace or fill hydraulic oil, the fork should be lowered to its lowest position. The oil to be used should be clean and filtered. The condensation point of the oil should be $\leq -4^{\circ}\text{F}$ (-20°C), and the motion viscosity should be 20–30 cst.
Note: Hydraulic Oil ISO VG 32 and multipurpose lubricating grease ZG2# or 3# are recommended for maintenance of this unit.

ATTENTION: TO INSURE SAFE AND EASY USE OF YOUR HIGH LIFT TRUCK,
READ THESE INSTRUCTIONS ENTIRELY BEFORE USING.

3. ASSEMBLY

[Numbers reference models manufactured after 07/2008 shown on pages 13-16]

- 1) Remove Screw (33) and Pin (32) accordingly.
- 2) Insert Handle (35) into the handle seat of the Cylinder unit (1900). Put in Pin (32). Screw in tightly with Screw (33). Put Adjusting Screw (37) (at the lower end of the Chain) into the slot of the Swing Rod (124).
- 3) Push down the Handle (35), moving the Pump Piston (108) downward meanwhile, to take away the Block (60). The Handle (35) will be able to return to its upright position. Keep the Release Lever (49) in the middle position "2". The Handle (35) should now move up and down freely without any blocking.
- 4) Put the Release Lever (49) at the low position "1", operate the Handle (35) and the fork should be able to lift to its highest position. At position "3" of the Release Lever (49), the fork should lower steadily to its bottom position.
- 5) Keep Release Lever (49) in low position "1" and pump Handle (35) to lift the fork to its highest position. Take away part (212) and cover (215N). Place Battery (214) into battery tank in the front of Part (70). Connect Connector (241,242) to (+) (-) poles accordingly. Tighten the screws on the Connector. Place part (212) and Cover (215) in. Finally lower fork to its lowest position.
- 6) Insert Wire and Plug (239) [under Handle (35)] into Socket (239) [under Pump Cover (226)]. Check all electrical components such as wire, plug etc. to see if there are any loose, broken or shorted-out. If everything is normal, switch on the General Switch (236) and check the Current Meter (240), the electricity should be over 3 lines. If it is below 3 lines (in the red light area), the battery should be charged.
- 7) Check pipes in hydraulic system, see if there is any leakage or seeping.
- 8) Place Release Lever (49) on Low Position "1", press the Up-Button (238) intermittently, the fork should be able to rise accordingly. Observe the electrical parts and hydraulic system to see any abnormalities. If everything is normal, press the Up-Button to lift the fork to its highest position. Then set the Release Lever (49) to position "3", the fork should be able to lower smoothly.
- 9) Repeat the above said procedures 2 or 3 times to see if there is any abnormality and to drive air out of the hydraulic system. The unit is ready for operation.

4. OPERATION

[Numbers reference models manufactured after 07/2008 shown on pages 13-16]

- 1) When the unit is ready for use, set the unit on flat, solid ground. Push forward and backward. The right and left wheel should swivel smoothly.
- 2) Manual Raising: Set Release Lever (49) to Low Position "1", operate Handle (35), the fork should raise smoothly. Place Release Lever (49) to Up Position "3", the fork should lower smoothly to lowest position. Set Release Lever (49) to Mid-position "2", the fork should stay at its current position and not drop.
- 3) Powered Raising: Turn on Switch (236). Electricity indicator should be above red line, ie. Green light should be on. Place Release Lever (49) to Low Position "1". Press Ascending Switch (238) and the fork should rise smoothly. Release the Ascending Switch (238), the fork should stop on any position, but not descend. Place Release Lever (49) to Up Position "3", the fork should lower smoothly. Set the Release Lever (49) to Mid-position "2", the fork will stop at its current position.
- 4) This machine is equipped with a safety valve to prevent overload. Neither manual raising nor powered raising can completed while the unit is overloaded.
- 5) After use, turn off Switch (236) to cut off electricity. The electricity meter will turn off.
- 6) When raising speed slows down noticeably and there is no green light present on the Electricity Meter (240), then the Battery (214) should be recharged. Put the Input Plug on the recharger (218N) into the electricity socket Switch. The recharging begins automatically and a Red light glows. When the battery is fully recharged, the green light in recharge turns on. The indicator in electricity meter should show between 8 – 10 bars. Recharging usually lasts 10 – 12 hours.

ATTENTION: TO INSURE SAFE AND EASY USE OF YOUR HIGH LIFT TRUCK,
READ THESE INSTRUCTIONS ENTIRELY BEFORE USING.

5. MAINTENANCE

[Numbers reference models manufactured after 07/2008 shown on pages 13-16]

Adjusting Position of Release Lever (49)

1) Function of three positions:

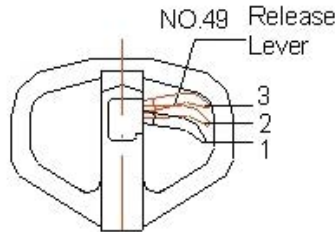


Figure 1

- Position 1: Lifting the Fork
- Position 2: Neutral
- Position 3: Lowering the Fork

2) Adjustment: (Fig 2)

Adjust Nut (36) if the Release Lever's position is not functioning properly with the table below:

Position	Adjusting
On Position 3, fork does not lower	Turn Nut upward counterclockwise (+)
On Position 1, fork does not raise	Turn Nut downward clockwise (-)
On Position 2, not neutral	Adjusting Nut up and down

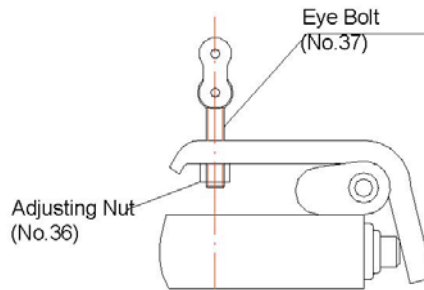


Figure 2

3) Fill Hydraulic Oil

Lower the fork to its lowest position. Loosen the Oiling Screw (160) and insert clean hydraulic oil (Hydraulic Oil ISO VG 32 recommended). Then completely tighten the Oiling Screw (160). Press the Ascending Switch (238) and make sure the fork can raise to its highest position. If not, repeat above procedure. Oil should be filled just enough for the forks to ascend to highest position. Don't fill the hydraulic oil up to the filling mouth.

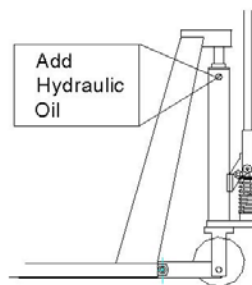


Figure 3

ATTENTION: TO INSURE SAFE AND EASY USE OF YOUR HIGH LIFT TRUCK,
READ THESE INSTRUCTIONS ENTIRELY BEFORE USING.

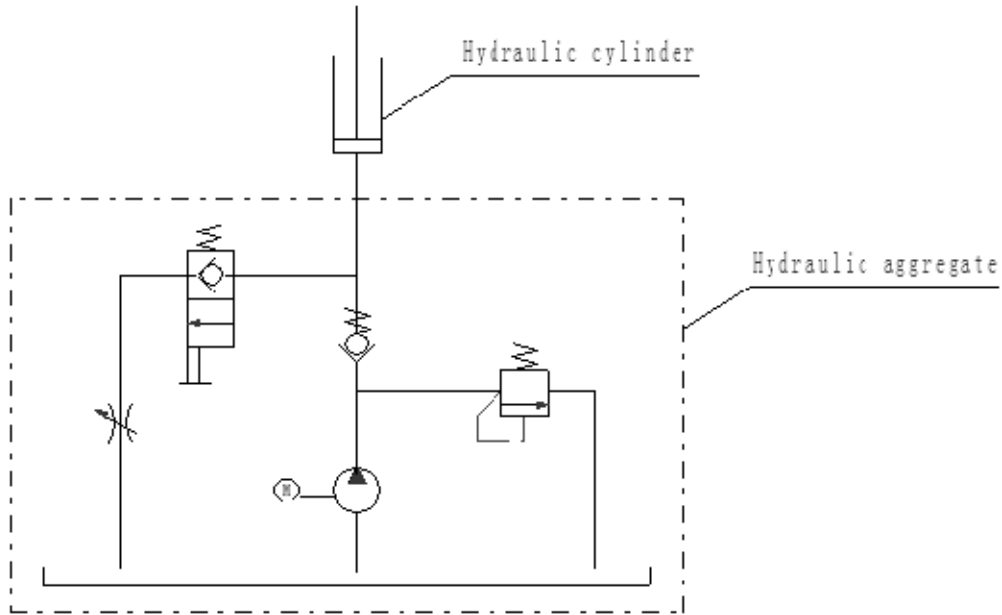
6. TROUBLESHOOTING

Failure	Cause	Solution
Motor and hydraulic pump do not operate	Defective fuse FU1 and/or FU2	Replace the fuse
	Loose or unconnected plug	Reconnect
	Motor is burned out	Replace motor
The high-lift pallet truck does not lift the load, although the pump is working perfectly	Load is too heavy, overload valve is actuated	Reduce the load
	Lowering valve does not close any more or the valve face is not sealed because of dirt	Clean or replace it
	Electric circuit is disconnected	Check the wiring
	Electromagnetic switch KM is defective	Replace KM
	Up switch is obstructed resp. defective	Check resp. replace the switch
	Hydraulic pump does not work	Check the pump
The high-lift pallet truck does not lower the load	The fork or other parts are obstructed	Check all moving parts
	The adjusting bolt (322) or adjusting nut (104) not adjusted properly.	Adjust it properly
Raised load is lowered on its own.	Leakage in the hydraulic system	Seal!
	Lowering valve does not close any more or the valve unit is not sealed because of dirt	Clean or replace
	Incorrect valve set-up.	Adjust lowering valve
	Pressure relief valve (pump) is leaky (pump turns slowly backwards.)	Clean or replace the valve
Oil loss on hydraulic cylinder	Sealing elements are worn	Replace sealing elements
The raised load is lowered too slowly	Temperature too low – the hydraulic system oil is too thick	Find a warmer location
Fork does not raise to upper position	Insufficient oil in the tank	Refill with oil (while the fork is lowered)
	Battery discharged	Charge the battery
	Limit switch is not positioned	Reposition the limit switch
Battery capacity too low	Battery is not charged enough	Recharge
	Battery is defective	Replace the battery
Battery cannot be charged	Fuse FU2 is defective	Replace FU2
	Battery resp. charger defective	Replace battery resp. charger
Battery discharges too quickly	Silted battery	Replace battery
	Sulphating or other failure in the battery.	Replace battery
	Accidental ground contact in the electric system or battery.	Repair or replace battery

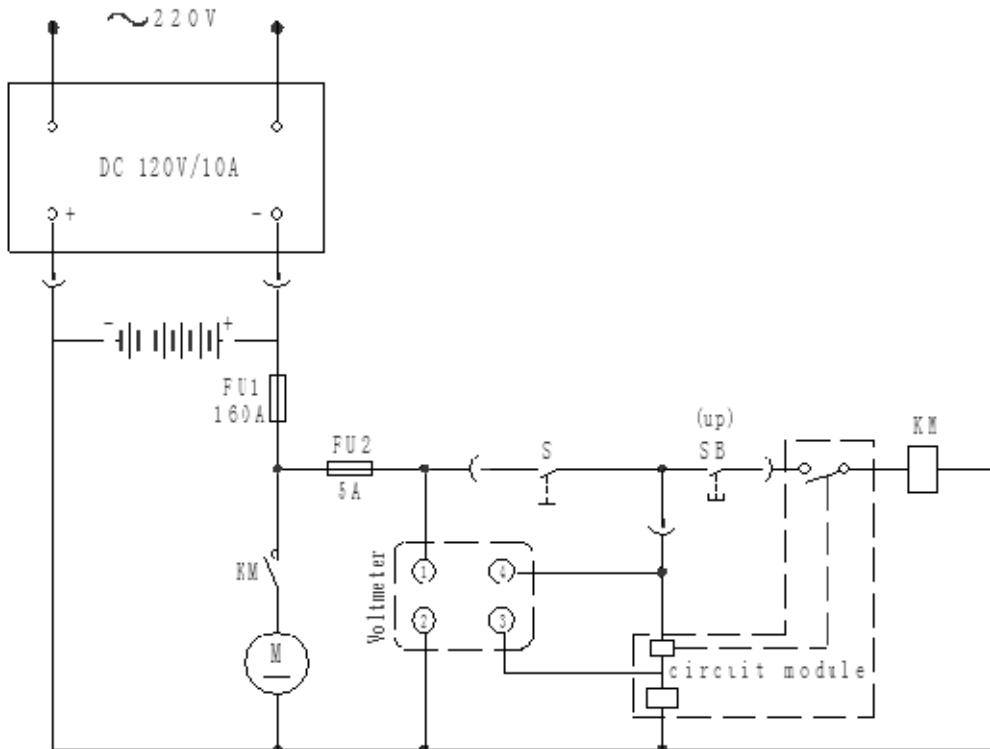
ATTENTION: TO INSURE SAFE AND EASY USE OF YOUR HIGH LIFT TRUCK,
 READ THESE INSTRUCTIONS ENTIRELY BEFORE USING.

7. HYDRAULIC & CURCUIT DIAGRAMS

7.1 Hydraulic Flow Diagram (Models Manufactured Before 07/2008)



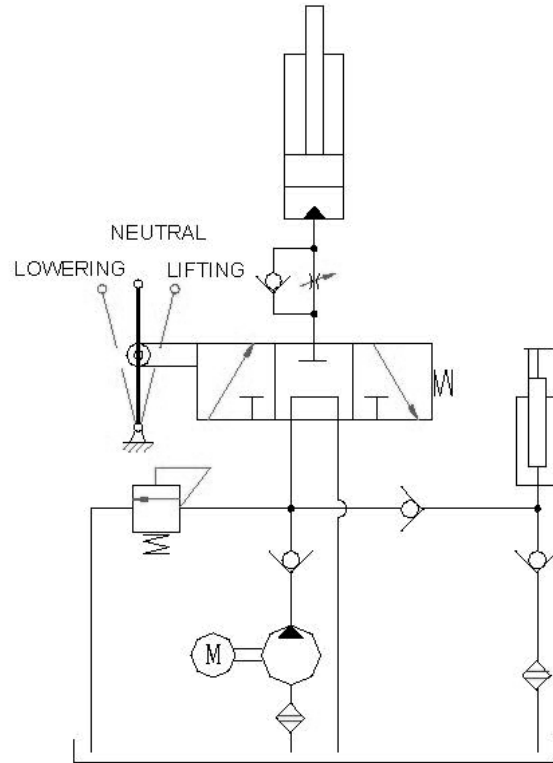
7.2 Circuit Diagram (Models Manufactured Before 07/2008)



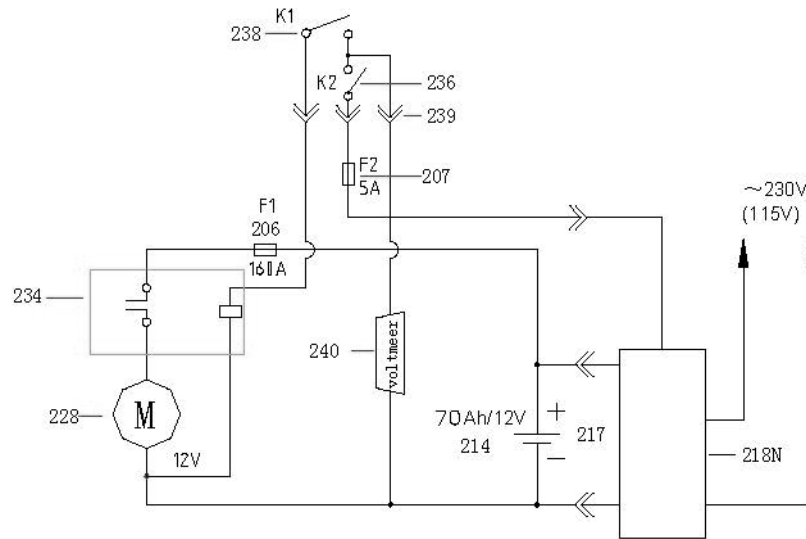
ATTENTION: TO INSURE SAFE AND EASY USE OF YOUR HIGH LIFT TRUCK,
 READ THESE INSTRUCTIONS ENTIRELY BEFORE USING.

7. HYDRAULIC & CURCUIT DIAGRAMS (CONTINUED)

7.3 Hydraulic Flow Diagram (*Models Manufactured After 07/2008*)



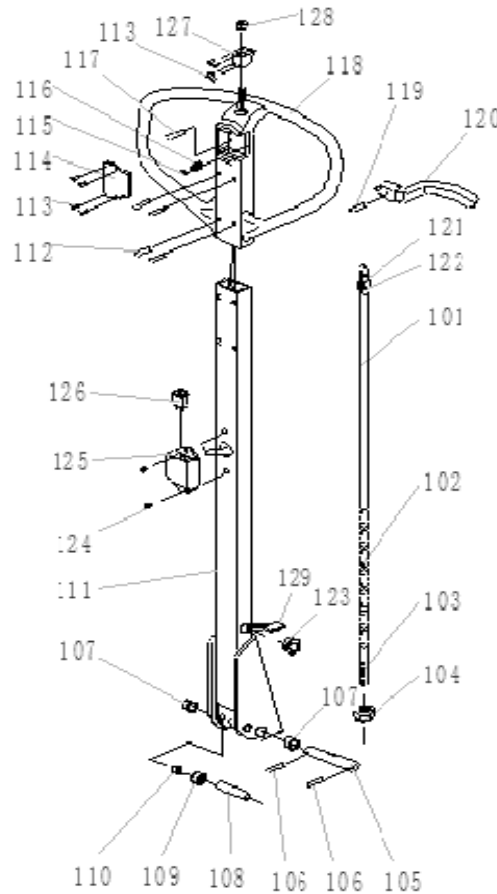
7.4 Circuit Diagram (*Models Manufactured After 07/2008*)



ATTENTION: TO INSURE SAFE AND EASY USE OF YOUR HIGH LIFT TRUCK,
READ THESE INSTRUCTIONS ENTIRELY BEFORE USING.

8. PART INFORMATION (MODELS MANUFACTURED BEFORE 07/2008)

8.1 HANDLE PART DIAGRAM



8.1 HANDLE PART LIST

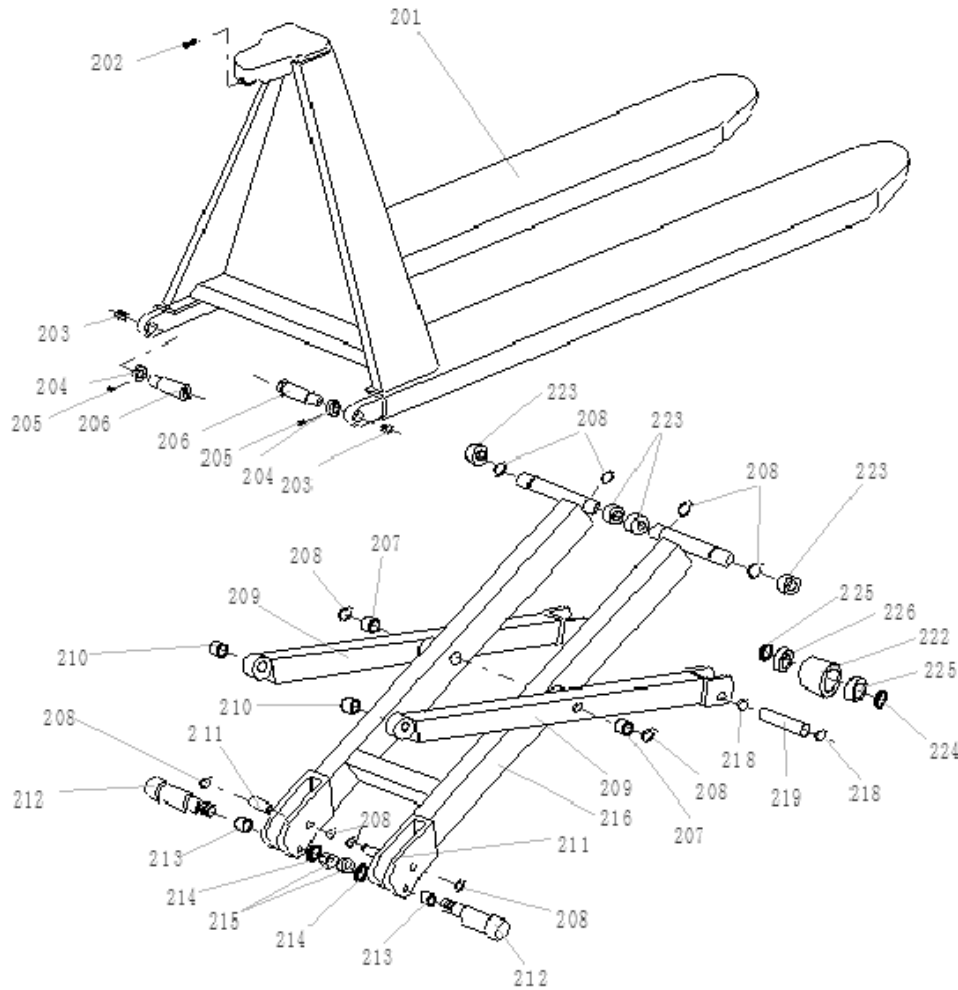
Wesco Replacement Part #	No.	Description	Qty
	101	Release Rod	1
	102	Chain	1
	103	Adjusting Bolt	1
	104	Adjusting Nut	1
	105	Axle with Hole	1
	106	Elastic Pin	2
	107	Bushing	2
	108	Roller Pin	1
	109	Pressure Roller	1
	110	Bushing	1
	111	Draw - bar	1
	112	Pin	4
	113	Screw	4
	114	Cover	1
	115	Ball	1

Wesco Replacement Part #	No.	Description	Qty
	116	Spring	1
	117	Pin	1
	118	Handle	1
	119	Pin	1
	120	Controlling Handle	1
	121	Pull Board	1
	122	Pin	1
	123	Rubber Band	1
	124	Screw	2
	125	Socket of Switch	1
	126	Switch	1
	127	Socket of Button	1
	128	Button	1
	129	Connector Plug	1
273057	101-129	Handle Assembly	1

ATTENTION: TO INSURE SAFE AND EASY USE OF YOUR HIGH LIFT TRUCK,
READ THESE INSTRUCTIONS ENTIRELY BEFORE USING.

8. PART INFORMATION (MODELS MANUFACTURED BEFORE 07/2008)

8.3 FRAME PART DIAGRAM



8.4 FRAME PART LIST

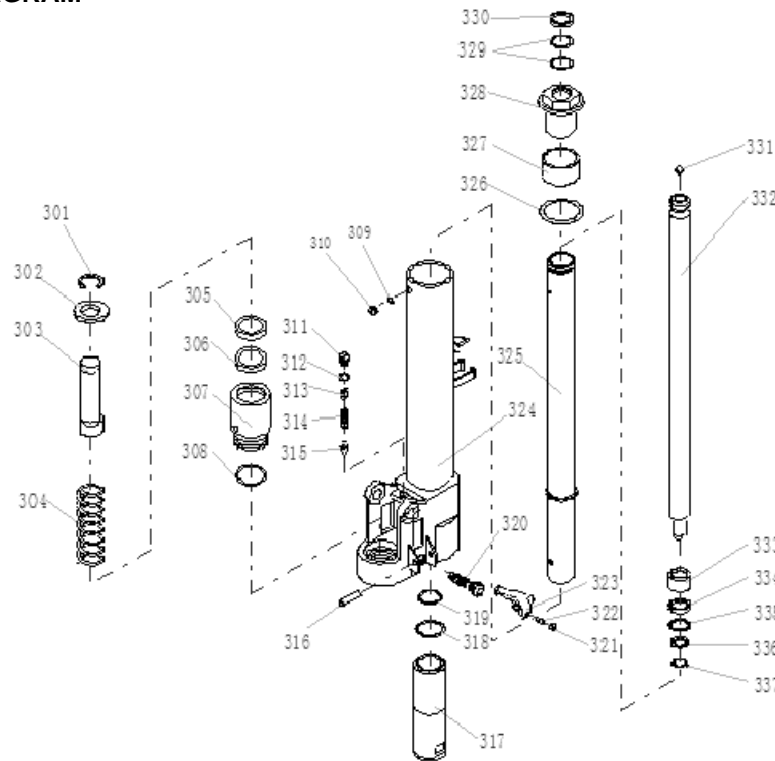
Wesco Replacement Part #	No.	Description	Qty
	201	Fork Frame	1
	202	Bolt	1
	203	Screw	2
	204	Gasket	2
	205	Screw	2
	206	Pin	2
	207	Bushing	2
	208	Elastic collar	10
	209	Left Leg	2
	210	Bushing	2
	211	Pin	2
	212	Centrifugal Axle	2
	213	Bushing	2

Wesco Replacement Part #	No.	Description	Qty
	214	Elastomeric Gasket	
	215	Nut	2
	216	Inner Leg	1
	217		
	218	Elastic collar	4
	219	Shaft of Roller	2
	220		
	221		
	222	Roller	2
	223	Steel Roller	4
	224	Gasket	4
	225	Bearing	4

ATTENTION: TO INSURE SAFE AND EASY USE OF YOUR HIGH LIFT TRUCK,
READ THESE INSTRUCTIONS ENTIRELY BEFORE USING.

8. PART INFORMATION (MODELS MANUFACTURED BEFORE 07/2008)

8.5 PUMP PART DIAGRAM



8.6 PUMP PART LIST

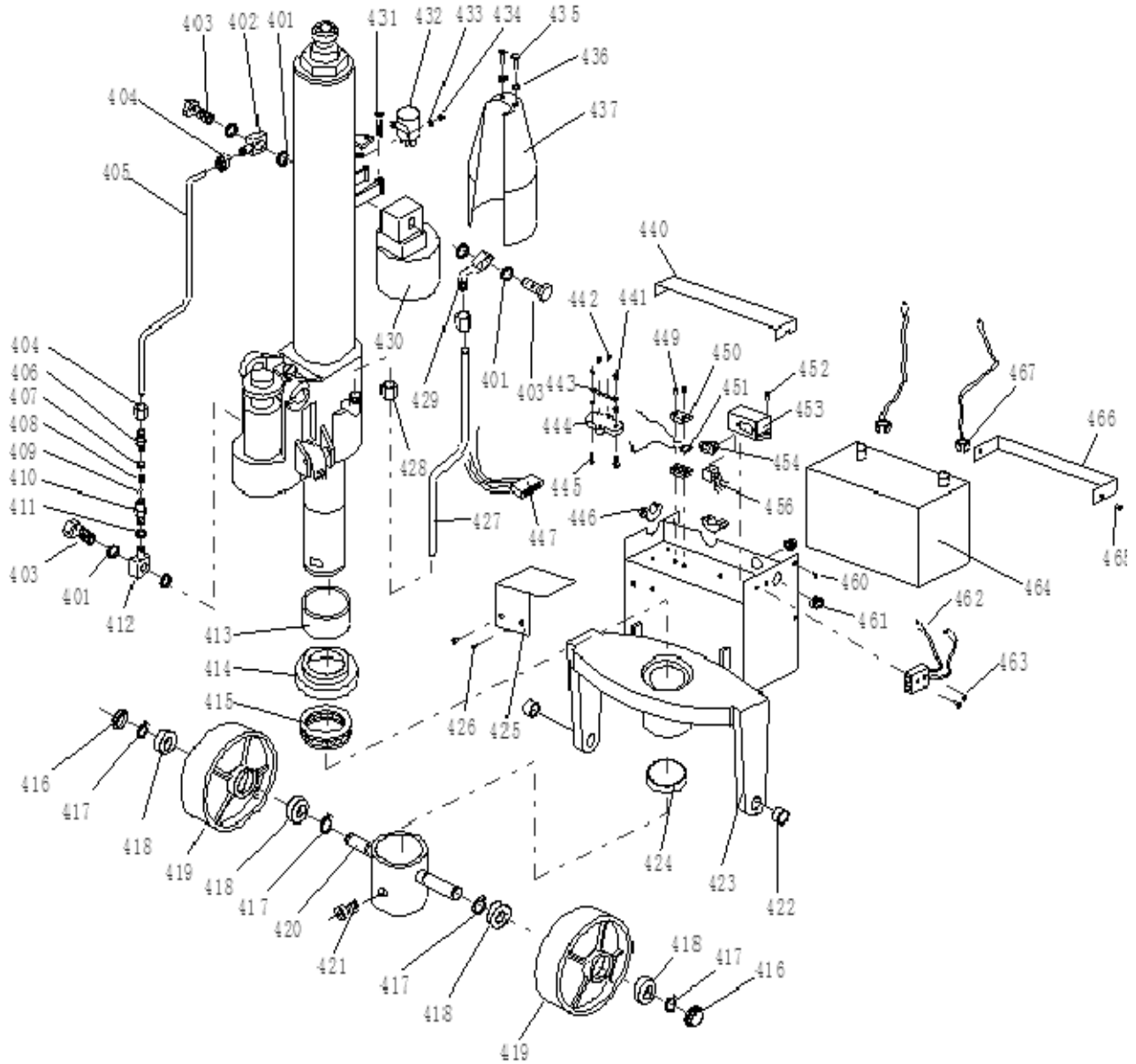
Wesco Replacement Part #	No.	Description	Qty
	301	Locking Ring	1
	302	Gasket for Spring	1
	303	Piston	1
	304	Spring	1
	305	Dust Ring	1
	306	Y - Ring	1
	307	Pump Cylinder	1
	308	O - Ring	1
	309	Seal Gasket	1
	310	Screw Plug	1
	311	Screw Plug	1
	312	O - Ring	1
	313	Adjusting Bolt	1
	314	Spring	1
	315	Spindle of Safety Valve	1
	316	Elastic Pin	1
	317	Lower Cylinder	1
	318	O - Ring	1
	319	O - Ring	1

Wesco Replacement Part #	No.	Description	Qty
	320	Valve Cartridge	1
	321	Nut	1
	322	Screw	1
	323	Lever Plate	1
	324	Pump Body	1
	325	Cylinder	1
	326	Seal Gasket	1
	327	Bushing	1
	328	Screw Cover	1
	329	O - Ring	1
	330	Dust Ring	1
	331	Steel Ball	1
	332	Piston Rod	1
	333	Piston	1
	334	Cup Packing	1
	335	O - Ring	1
	336	Gasket	1
	337	Elastic collar	1
272479		Complete Replacement Pump (I-Lift)	1

ATTENTION: TO INSURE SAFE AND EASY USE OF YOUR HIGH LIFT TRUCK,
READ THESE INSTRUCTIONS ENTIRELY BEFORE USING.

8. PART INFORMATION (MODELS MANUFACTURED BEFORE 07/2008)

8.7 STEER WHEEL ASSEMBLY DIAGRAM



ATTENTION: TO INSURE SAFE AND EASY USE OF YOUR HIGH LIFT TRUCK,
READ THESE INSTRUCTIONS ENTIRELY BEFORE USING.

8. PART INFORMATION (MODELS MANUFACTURED BEFORE 07/2008)

8.8 STEER WHEEL ASSEMBLY PART LIST

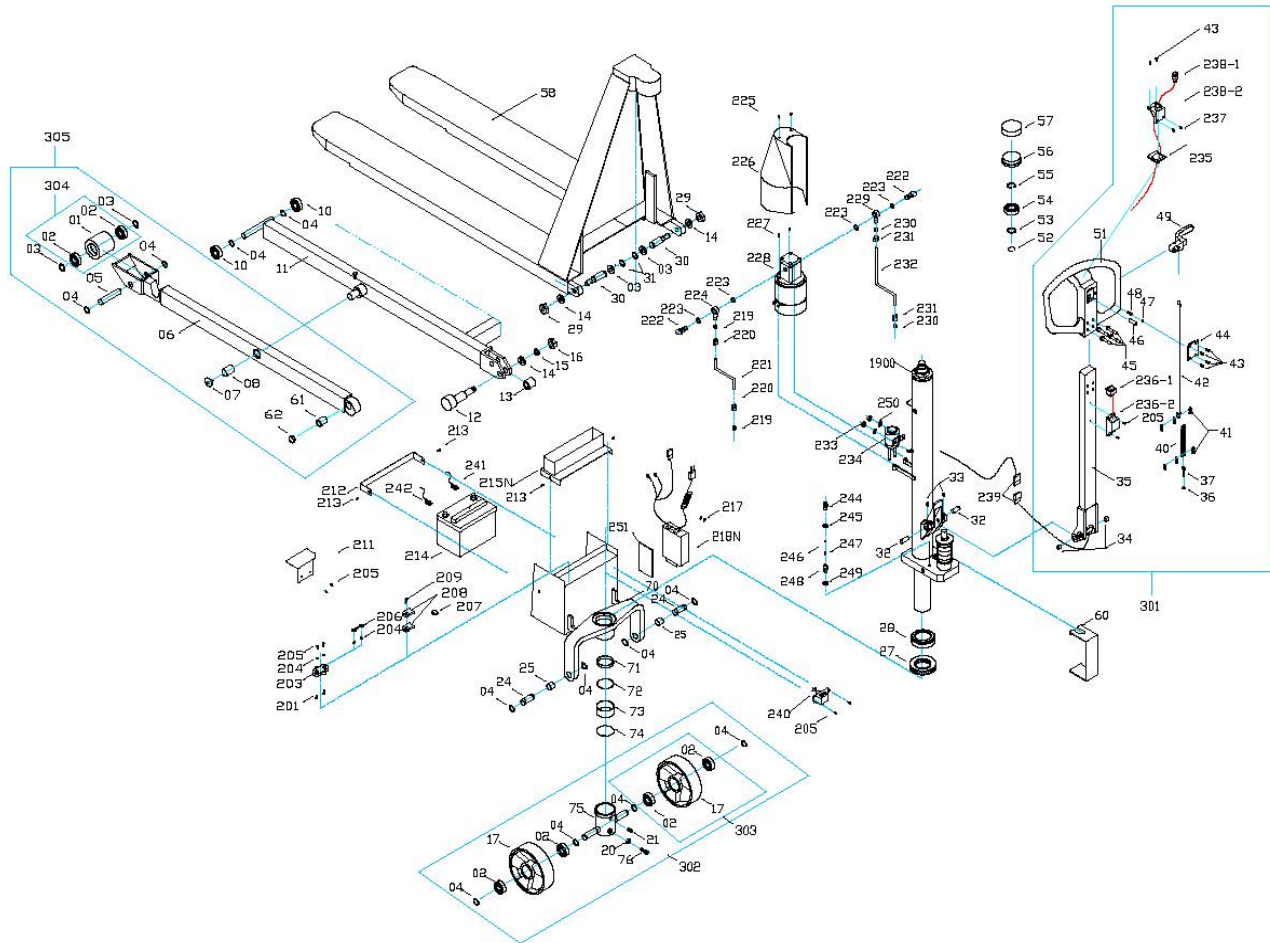
Wesco Replacement Part #	No.	Description	Qty
	401	Seal Gasket	6
	402	Connector	1
	403	Bolt	3
	404	Nut	2
	405	Oil Pipe	1
	406	Carve Tie-in	1
	407	Seal Gasket	1
	408	Spring	1
	409	Steel Ball	1
	410	Seat of Valve	1
	411	Seal Gasket	1
	412	Connector	1
272500	413	Bushing	1
	414	Seat of Bearing	1
	415	Bearing	1
272497	416	Dust Cover	2
272498	417	Elastic collar	4
272499	418	Bearing	4
	419	Wheel	4
	420	Holding Site for Wheel	1
	421	Bolt	1
	422	Bushing	2
	423	Thrust Plate	1
	424	Bushing	1
	425	Cover	1
	426	Screw	2
	427	Oil Pipe	1
	428	Nut	2
	429	Connector	1
	430	Motor Assembly	1
	431	Bolt	2
	432	Electromagnetic Switch	1
	433	Gasket	2
	434	Nut	2

Wesco Replacement Part #	No.	Description	Qty
	435	Screw	2
	436	Gasket	2
	437	Motor Cover	1
	438		
	439		
	440	Battery Cover	1
	441	Nut	4
	442	Screw	2
	443	Fuse	1
	444	Fuse Carrier	1
	445	Bolt	2
	446	Rubber band	2
	447	Connector plug	1
	448		
	449	Screw	2
	450	Fuse Carrier	2
	451	Fuse	1
	452	Screw	2
	453	Seat of Voltage Meter	1
	454	Voltage Meter	1
	455		
	456	Circuit Module	1
	457		
	458		
	459		
	460	Screw	2
	461	Rubber band	2
	462	Socket	1
	463	Screw	2
109102	464	Battery	1
	465	Screw	2
	466	Baffle	1
	467	Battery Wires	2
272472		Charger	1

ATTENTION: TO INSURE SAFE AND EASY USE OF YOUR HIGH LIFT TRUCK, READ THESE INSTRUCTIONS ENTIRELY BEFORE USING.

9. PART INFORMATION (MODELS MANUFACTURED AFTER 07/2008)

9.1 FRAME & HANDLE PART LIST



9.2 FRAME & HANDLE PART LIST

Wesco Replacement Part #	No.	Description	Qty
273728	01	Front Wheel	2
272489	02	Ball Bearing	8
	03	Washer	6
	04	Snap Ring	16
	05	Pin	2
	06	Leg	2
273658	07	Screw	2
	08	Bush	2
	10	Ball Bearing	4
	11	Leg	1
	12	Centrifugal Axle	2
	13	Bush	2
	14	Washer	4
	15	Bush	2
	16	Nut	2

Wesco Replacement Part #	No.	Description	Qty
	70	Hold Yoke	1
	71	Bush	1
	72	Snap Ring	1
	73	Ball Bearing	1
	74	Ball	42
	75	Wheel Yoke	1
	76	Screw	1
	201	Screw	2
	203	Fuse Box	1
	204	Nut	4
	205	Screw	9
	206	Fuse (160A)	1
	207	Fuse (5A)	1
	208	Fuse Box	2
	209	Screw	4

ATTENTION: TO INSURE SAFE AND EASY USE OF YOUR HIGH LIFT TRUCK,
 READ THESE INSTRUCTIONS ENTIRELY BEFORE USING.

9. PART INFORMATION (MODELS MANUFACTURED AFTER 07/2008)

9.2 FRAME & HANDLE PART LIST (CONTINUED)

Wesco Replacement Part #	No.	Description	Qty
272488	17	Steering Wheel	2
	19	Screw	2
	20	Nut	1
	21	Screw	1
	24	Pin	2
	25	Bush	2
	27	Ball Bearing	1
	28	Spacer	1
	29	Nut	2
	30	Pin	2
	31	Snap Ring	2
	32	Pin	2
	33	Screw	2
	34	Bush	2
	35	Handle Tube	1
	36	Nut	3
	37	Eye Bolt	1
	40	Chain	1
	41	Chain Connector	2
	42	Release Rod	1
	43	Screw	6
	44	Cover	1
	45	Pin	6
	46	Pin	1
	47	Ball	1
	48	Spring	1
	49	Release Lever	1
	51	Handle	1
	52	Retaining Ring	1
	53	Washer	1
	54	Ball Bearing	1
	55	Snap Ring	1
	56	Spacer	1
	57	Spacer	1
	58	Fork	1
	60	Hooking Plate	1
	61	Spacer	2
	62	Spacer	2

Wesco Replacement Part #	No.	Description	Qty
	211	Cover	1
	212	Plate	1
	213	Screw	4
	214	Battery	1
	215N	Cover	1
	217	Screw	1
272599	218N	Recharger	1
	219	Spacer	2
	220	Nut	2
	221	Oil Pipe	1
	222	Screw	2
	223	Washer	4
	224	Adjusting Screw	1
	225	Screw	2
	226	Cover	1
	227	Screw	2
	228	Pump	1
	229	Adjusting Screw	1
273655	230	Spacer	2
273656	231	Nut	2
273657	232	Oil Pipe	1
	234	Relay	1
	235	Washer	1
	236-1	Switch	1
	236-2	Switch Base	1
	237	Screw	2
	238-1	Up Switch	1
	238-2	Up Switch Base	1
	239	Socket	1
	240	Voltage Meter	1
	241	Battery Terminal (-)	1
	242	Batter Terminal (+)	1
	244	Adjusting Screw	1
	245	Washer	1
	246	Ball	1
	247	Spring	1
	248	Adjusting Screw	1
	249	Washer	1
	251	Plate	1

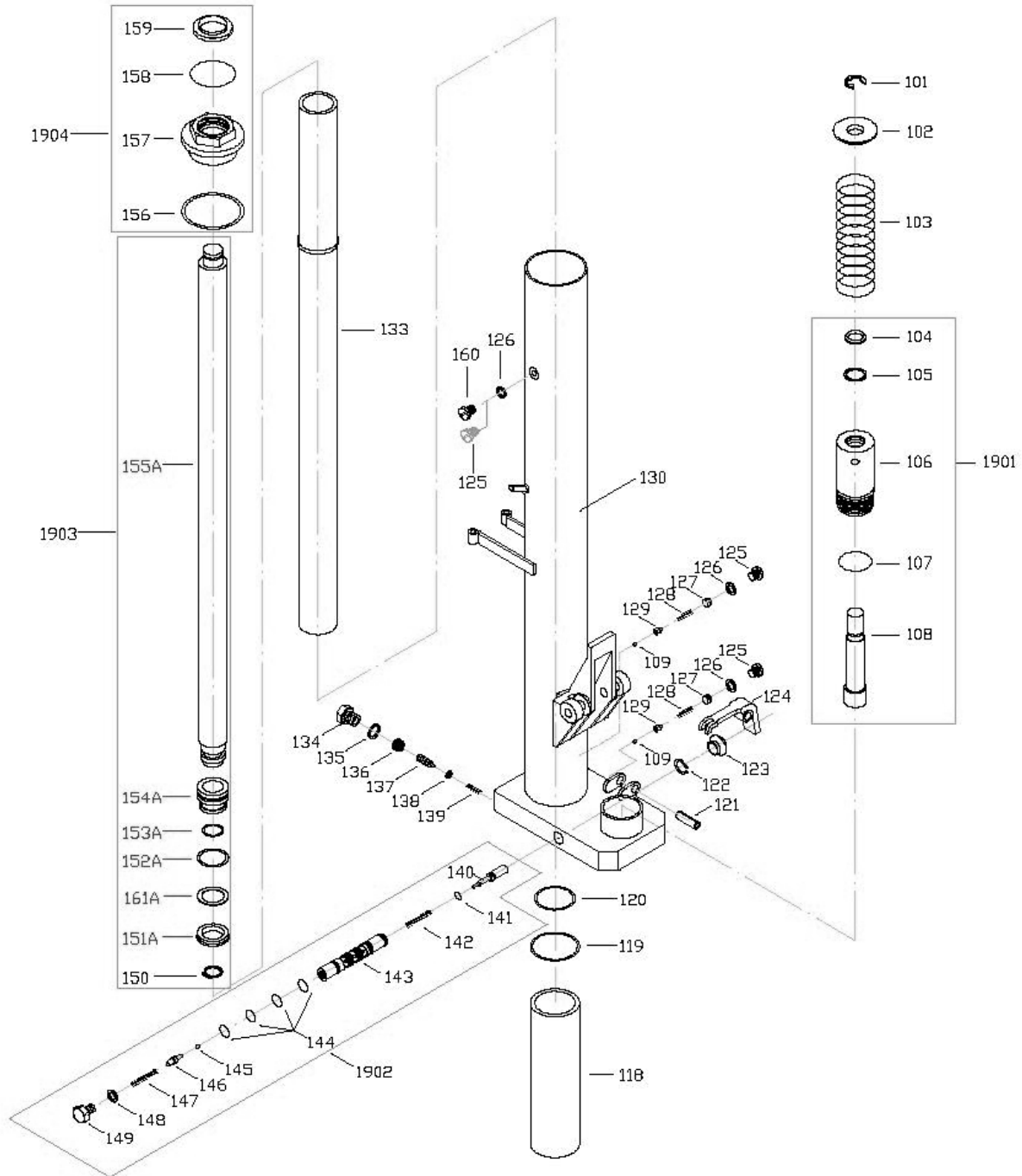
Replacement Assemblies

273661	301	Handle Assembly (Includes Items #34, 35, 36, 37, 40, 41, 42, 43, 44, 45, 46, 47, 48, 49, 51, 236-1, 236-2, 205, 235, 237, 238-1 & 238-2)	1
	302	Wheel Yoke Assembly (Includes Items # 02, 04, 17, 20, 75 & 76)	1
	303	Wheel Assembly (Includes Items #02 & 17)	2
	304	Front Wheel Assembly (Includes Items #01 & 02)	2
	305	Leg Assembly (Includes Items #01, 02, 03, 04, 05, 06, 07, 08, 61 & 62)	2

ATTENTION: TO INSURE SAFE AND EASY USE OF YOUR HIGH LIFT TRUCK,
READ THESE INSTRUCTIONS ENTIRELY BEFORE USING.

9. PART INFORMATION (MODELS MANUFACTURED AFTER 07/2008)

9.3 PUMP PART DIAGRAM



ATTENTION: TO INSURE SAFE AND EASY USE OF YOUR HIGH LIFT TRUCK,
 READ THESE INSTRUCTIONS ENTIRELY BEFORE USING.

9. PART INFORMATION (MODELS MANUFACTURED AFTER 07/2008)

9.4 PUMP PART LIST

Wesco Replacement Part #	No.	Description	Qty
	101	Retaining Ring	1
	102	Spring Seat	1
	103	Spring	1
	104	Wiper	1
	105	Y-Ring	1
	106	Pump	1
	107	O-Ring	1
	108	Plunger	1
	109	Ball	2
	118	Cylinder Bush	1
	119	O-Ring	1
	120	O-Ring	1
	121	Snap Ring	1
	122	Split Ring	1
	123	Rubber Sleeve	1
	124	Pendulum Sleeve	1
	125	Screw	2
	126	O-Ring	3
	127	Screw	2
	128	Spring	2
	129	Ball Seat	2
	130	Pump Housing	1
	133	Cylinder	1
	134	Screw	1
	135	Seal Ring	1
	136	Screw	1

Wesco Replacement Part #	No.	Description	Qty
	137	Screw	1
	138	Plate	1
	139	Spring	1
	140	Release Indicator	1
	141	O-Ring	1
	142	Spring	1
	143	Valve Insert	1
	144	O-Ring	4
	145	Ball	1
	146	Release Valve	1
	147	Spring	1
	148	Seal Ring	1
	149	Screw	1
	150	Snap Ring	1
	151A	Y-Ring	1
	152A	O-Ring	1
	153A	O-Ring	1
	154A	Piston	1
	155A	Piston Rod	1
	156	Seal Ring	1
	157	Cylinder Nut	1
	158	O-Ring	1
	159	Scraper Ring	1
	160	Screw	1
	161A	Retaining Y-Ring	1

Replacement Assemblies

	1901	Pump Assembly (Includes Items #104, 105, 106, 107 & 108)	1
	1902	Valve Insert Assembly (Includes Items #140, 141, 142, 143, 144, 145, 146, 147, 148 & 149)	1
	1903	Piston Rod Assembly (includes Items #150, 151A, 152A, 153A, 154A, 155A & 161A)	1
	1904	Cylinder Nut Assembly (Includes Items #156, 157, 158 & 159)	1
272471		Complete Replacement Pump	1